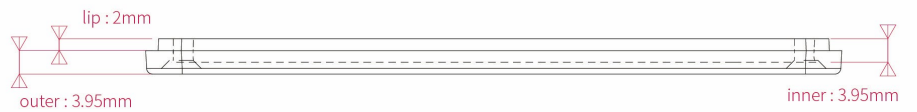
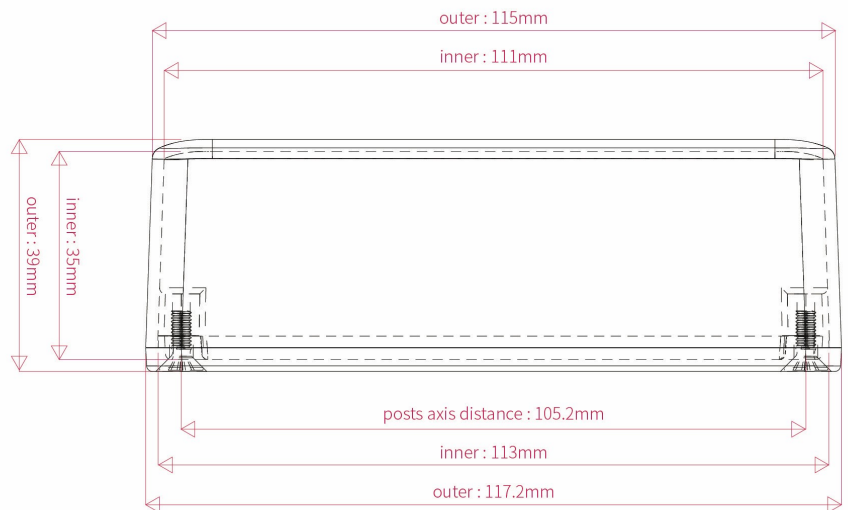


S90

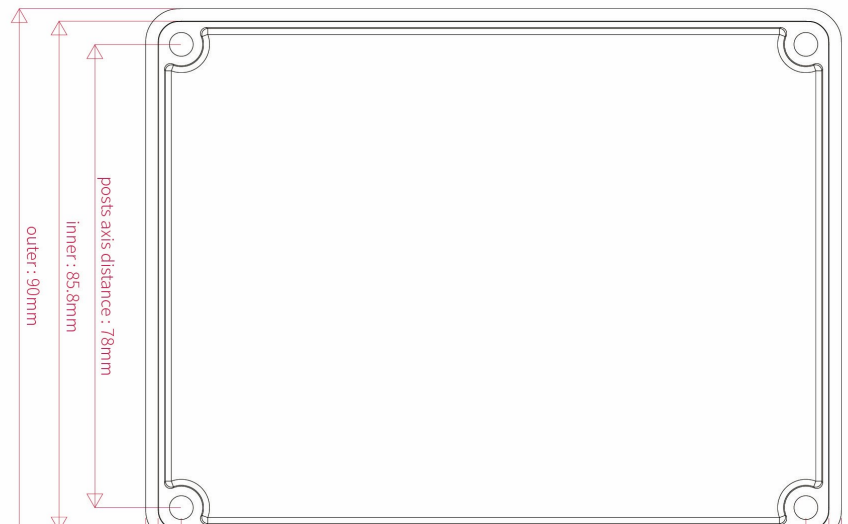
ENCLOSURE BASE



ENCLOSURE WITH LID



LID



Screw

