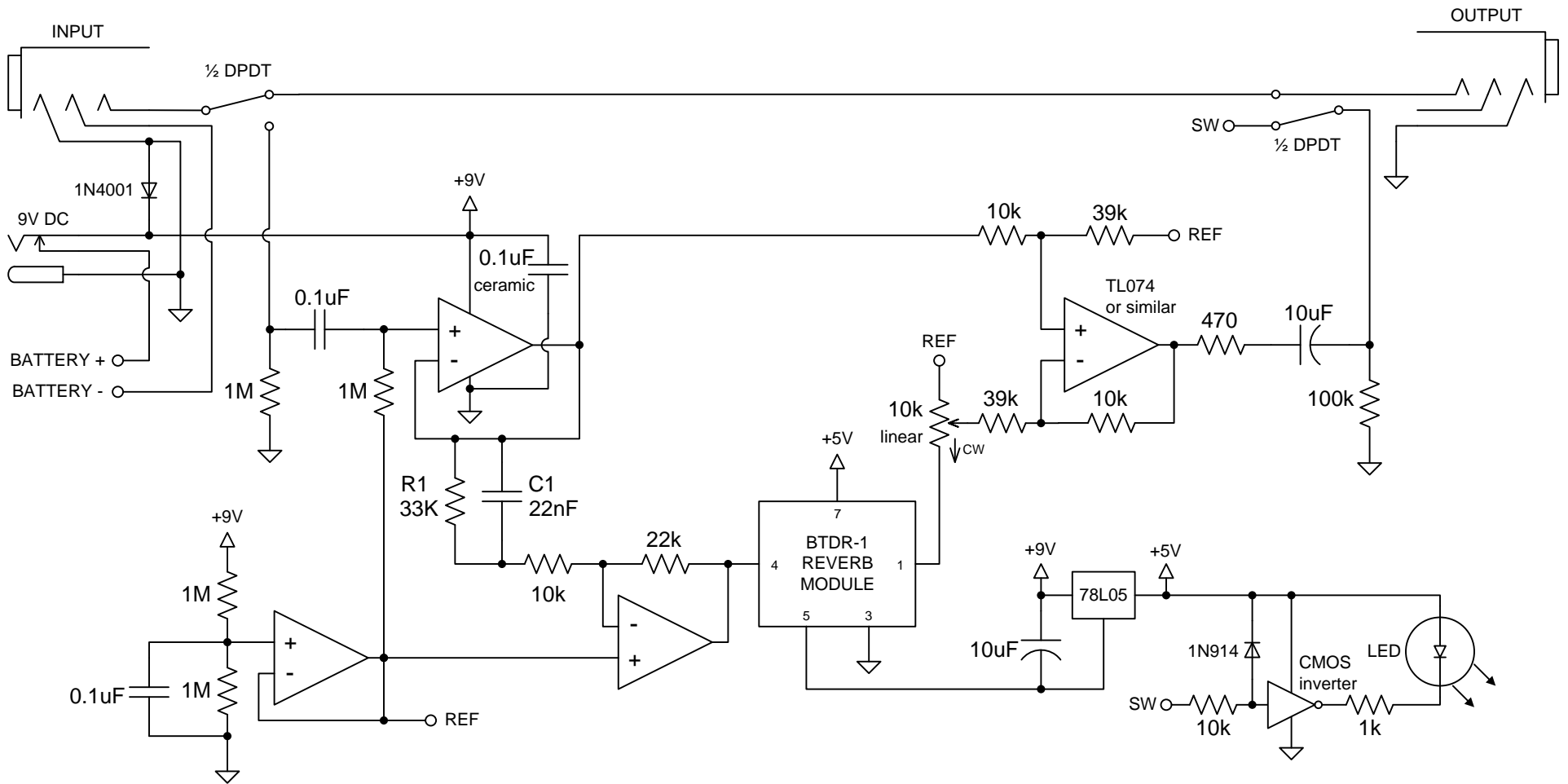


Reverb Pedal Schematic, v. 2

Revised 12/07/08



Designer's Notes:

- R1 and C1 change the reverb tone. Adjust to taste.
- Pot adjusts Reverb Level.
- CMOS inverter is 74HC14 or similar, connect unused inputs to GND

© 2008 Brian Neunaber. All Rights Reserved. This circuit may be used freely without permission from the author.