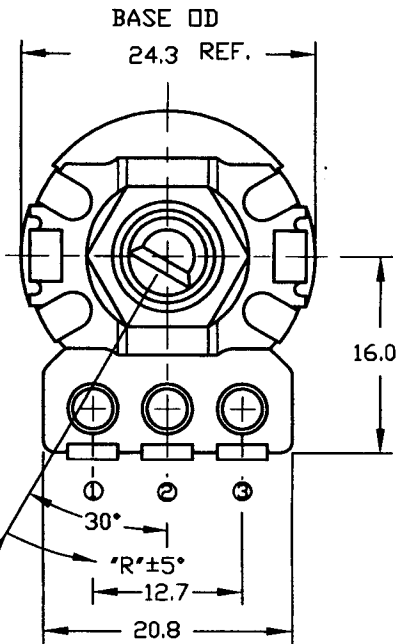
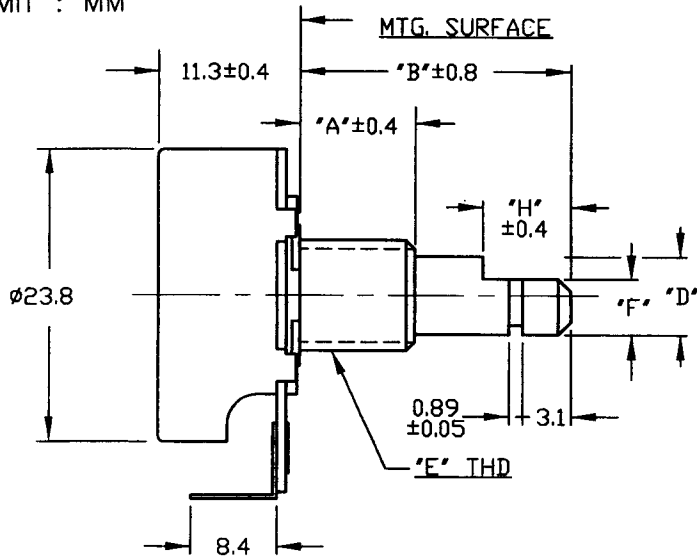


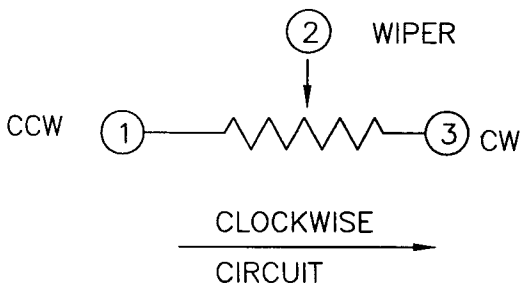
UNIT : MM



STANDARD FLAT LOCATION SHOWN @ FULL CCW ROTATION. (SEE NOTE 7 , ITEM R FOR CUSTOMER SPECIFIC REQUIREMENT.)

NOTES:

1. RESISTANCE : 100K+-20%
2. TOTAL ROTATIONAL ANGLE : 300°
3. EFFECTIVE ROTATIONAL ANGLE : 300°
4. RESIDUAL RESISTANCE :
HEHO : 10 ohms max.
LEHO : 10 ohms max.
5. CURVE TYPE : LINEAR CTS TYPE AT33
6. CENTER TAP ANGLE : N/A
7. DIMENSIONS OF
A : 15.0 B : 35.6
F : 5.54+-0.05 D : 6.35+-0.05
E : 3/8-32 NEF H : 20.0
R : 180°
8. HARDWARE : Nut:45T-3;Washer:1220A
9. DUST COVER : VA45R
10. COVER : TIN PLATED
11. FOR ADDITIONAL REQUIREMENTS SEE CTS. ENG. SPEC. # EN-SPE-295004E



CTS

COMPONENTS TAIWAN LTD.
KAOHSIUNG, TAIWAN, ROC

CAD LIST : ACAD(B)-CATALOGUE-77
FILE NAME : 295TF009

PART NO. 295S1273A		REV	CUSTOMER : Small Bear	
SCALE : NONE	TOLERANCE UNLESS OTHERWISE SPECIFIED .X (1 PLACE) : ±0.3 .XX (2 PLACE) : ±0.13 ANGLE : ±5°		DRAWN BY : F. S.	APPROVED BY :
CTS TYPE : LL-T295			CHECKED BY : J.M. Tsai	ISSUED DATE : 07-12-06

CTS ELECTROCOMPONENTS - TAIWAN
CUSTOMER _____
PART NO. _____

RESISTIVE ELEMENT SPECIFICATION
RESISTANCE _____
TOLERANCE $\pm 10\%$, $\pm 20\%$
ROTATION CW

NO : AT33
DATE 07-03-01
BY *Sammay Khung*
APPR *Pan Chen*

3/3/01
2/9/01

PERCENT OF NOMINAL RESISTANCE

